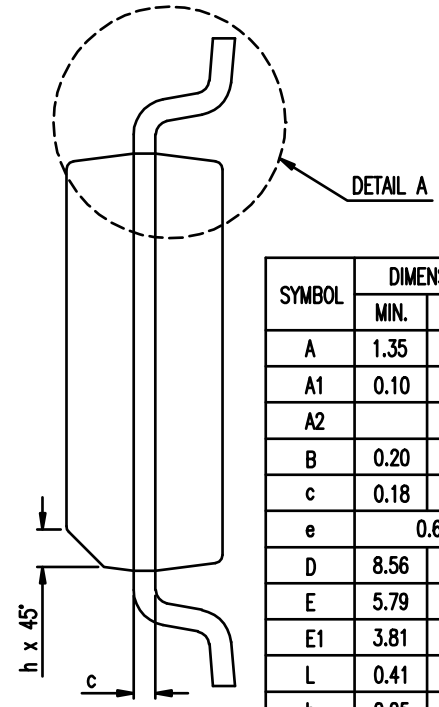
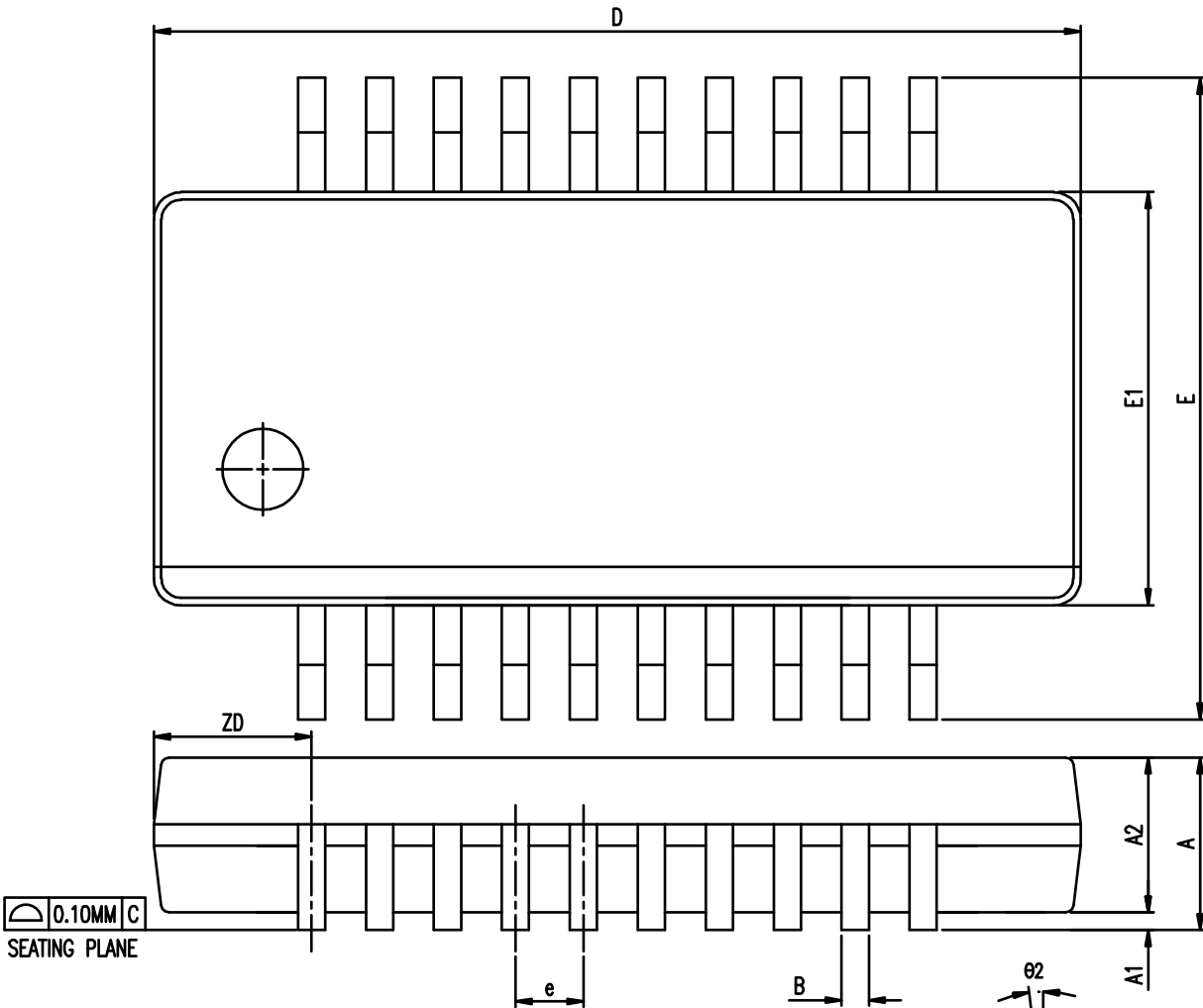


REV.	DESCRIPTION	BY	DATE
ORIG.	DRAWING ISSUE	SANDY CHEN	98.05.13
A.	SSO CHANGE TO QSO/SSO	SANDY CHEN	98.08.12
B.	ADD NOTES	SANDY CHEN	00.01.20



SYMBOL	DIMENSION IN MM			DIMENSION IN INCH		
	MIN.	NOM.	MAX.	MIN.	NOM.	MAX.
A	1.35	1.63	1.75	0.053	0.064	0.069
A1	0.10	0.15	0.25	0.004	0.006	0.010
A2			1.50			0.059
B	0.20		0.30	0.008		0.012
c	0.18		0.25	0.007		0.010
e	0.635 BASIC			0.025 BASIC		
D	8.56	8.66	8.74	0.337	0.341	0.344
E	5.79	5.99	6.20	0.228	0.236	0.244
E1	3.81	3.91	3.99	0.150	0.154	0.157
L	0.41	0.635	1.27	0.016	0.025	0.050
h	0.25		0.50	0.010		0.020
ZD	1.4732REF			0.058 REF.		
R1	0.20		0.33	0.008		0.013
R	0.20			0.008		
$\theta$	0'		8'	0'		8'
$\theta1$	0'			0'		
$\theta2$	5'	10'	15'	5'	10'	15'
JEDEC	MO-137 (AD)					

**\*NOTES :** DIMENSION D DOES NOT INCLUDE MOLD PROTRUSIONS OR GATE BURRS.  
MOLD PROTRUSIONS AND GATE BURRS SHALL NOT EXCEED 0.006 INCH PER SIDE.

