

4 keys Touch Pad Detector IC

Outline

- The TTP224B-COBN TonTouch™ IC is capacitive sensing design specifically for touch pad controls. The device built in regulator for touch sensor. Stable sensing method can cover diversity conditions. Human interfaces control panel links through non-conductive dielectric material. The main application is focused at replacing of the mechanical switch or button. The ASSP can independently handle the 4 touch pads with 4 direct output pins

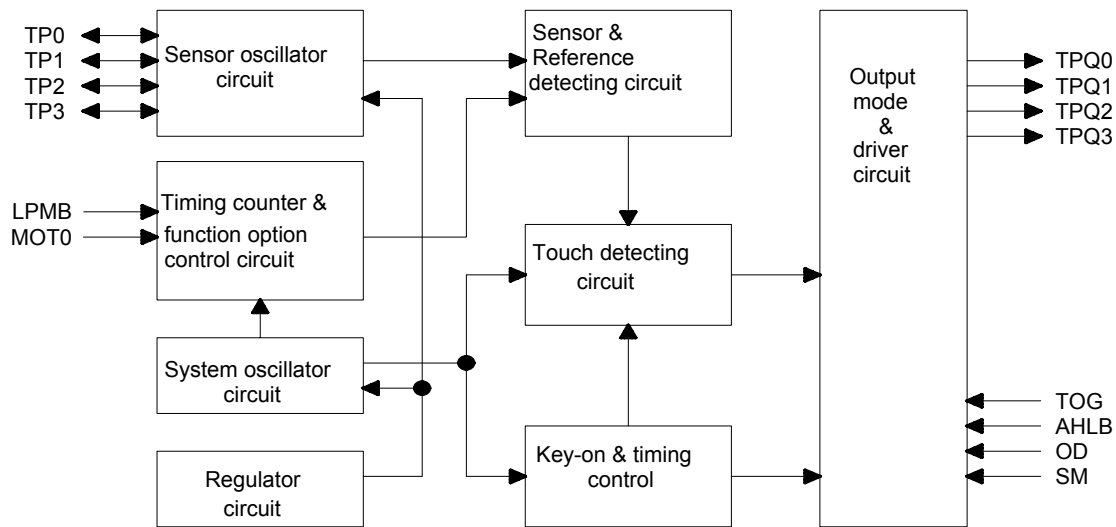
Characteristic

- Operating voltage 2.4V ~ 5.5V
- Built-in regulator for touch sensor
- Operating current, @VDD=3V no load
At low power mode typical 2.5uA, At fast mode typical 13uA
- @VDD=3V operating voltage :
The response time about 160mS at low power mode, 60mS at fast mode
- Sensitivity can adjust by the capacitance (1~50pF) outside for each touch pad
- Provides Fast mode and Low Power mode selection by pad option (LPMB pin)
- Provides direct mode or toggle mode · CMOS output or open drain output · active high or active low by pad option (TOG/OD/AHLB pin)
- Have the maximum on time about 16sec/infinite by pad option(MOT0 pin)
- Provides Single-key and Multi-key functions by pad option (SM pin)
- After power-on have about 0.5sec stable-time, during the time do not touch the key pad, and the function is disabled
- Auto calibration for life
- The re-calibration period is about 1 sec within 8 sec after power-on. When key has been touched within 8 sec or key has not been touched more than 8 sec after power-on, then the re-calibration period change to 4 sec

Applications

- Wide consumer products
- Button key replacement

Block diagram



Pin Description

| Pin NO | Pin Name | Type | Pad Description |
|--------|----------|------|--|
| 1 | TP0 | I/O | Touch pad input pin |
| 2 | TP1 | I/O | Touch pad input pin |
| 3 | TP2 | I/O | Touch pad input pin |
| 4 | TP3 | I/O | Touch pad input pin |
| 5 | AHLB | I-PL | Output active high or low option, default: 0 |
| 6 | VDD | P | Positive power supply |
| 7 | TOG | I-PL | Output type option, default: 0 |
| 8 | LPMB | I-PL | Low power/fast mode option, default: 0 |
| 9 | MOT0 | I-PH | Key maximum on time option, default: 1 |
| 10 | VSS | P | Negative power supply, ground |
| 11 | OD | I-PH | Output open-drain option, default: 1 |
| 12 | SM | I-PH | Single/multi key option, default: 1 |
| 13 | TPQ3 | O | Direct output for TP3 touch input pin |
| 14 | TPQ2 | O | Direct output for TP2 touch input pin |
| 15 | TPQ1 | O | Direct output for TP1 touch input pin |
| 16 | TPQ0 | O | Direct output for TP0 touch input pin |

Pin Type

- I CMOS input only
- O CMOS push-pull output
- I/O CMOS I/O
- P Power/Ground
- I-PH CMOS input and pull-high resistor
- I-PL CMOS input and pull-low resistor
- OD Open drain output, have no Diode protective circuit

Electrical Characteristics

- Absolute maximum ratings**

| Parameter | Symbol | Conditions | Rating | Unit |
|-----------------------|------------------|------------|-----------------|------|
| Operating Temperature | T _{OP} | — | -40~+85 | °C |
| Storage Temperature | T _{STG} | — | -50~+125 | °C |
| Supply Voltage | VDD | Ta=25°C | VSS-0.3~VSS+5.5 | V |
| Input Voltage | V _{IN} | Ta=25°C | VSS-0.3~VDD+0.3 | V |
| Human Body Mode | ESD | — | 5 | KV |

Note : VSS symbolizes for system ground

- DC / AC characteristics : (Test condition at room temperature = 25 °C)**

| Parameter | Symbol | Test Condition | Min | Typ | Max | Unit |
|------------------------------|------------------|---|-----|------|-----|------|
| Operating Voltage | VDD | Internal regulator enable | 2.4 | | 5.5 | V |
| Internal Regulator Output | VREG | | 2.2 | 2.3 | 2.4 | V |
| Operating Current | I _{OPL} | VDD=3V, At low power mode(regulator enable) | | 2.5 | | uA |
| | I _{OPF} | VDD=3V, At fast mode (regulator enable) | | 13.0 | | uA |
| Input Ports | V _{IL} | Input Low Voltage | 0 | | 0.2 | VDD |
| Input Ports | V _{IH} | Input High Voltage | 0.8 | | 1.0 | VDD |
| Output Port Sink Current | I _{OL} | VDD=3V, V _{OL} =0.6V | | 8 | | mA |
| Output Port Source Current | I _{OH} | VDD=3V, V _{OH} =2.4V | | -4 | | mA |
| Input Pin Pull-high Resistor | R _{PH} | VDD=3V | | 30K | | ohm |
| Input Pin Pull-low Resistor | R _{PL} | VDD=3V | | 25K | | ohm |
| Output Response Time | T _R | VDD=3V、 At fast mode | | 60 | | mS |
| | | VDD=3V、 At low power mode | | 160 | | |

Function Description

I . Sensitivity adjustment

The total loading of electrode size and capacitance of connecting line on PCB can affect the sensitivity. So the sensitivity adjustment must according to the practical application on PCB. The TTP224B-COBN offers some methods for adjusting the sensitivity outside

1. by the electrode size

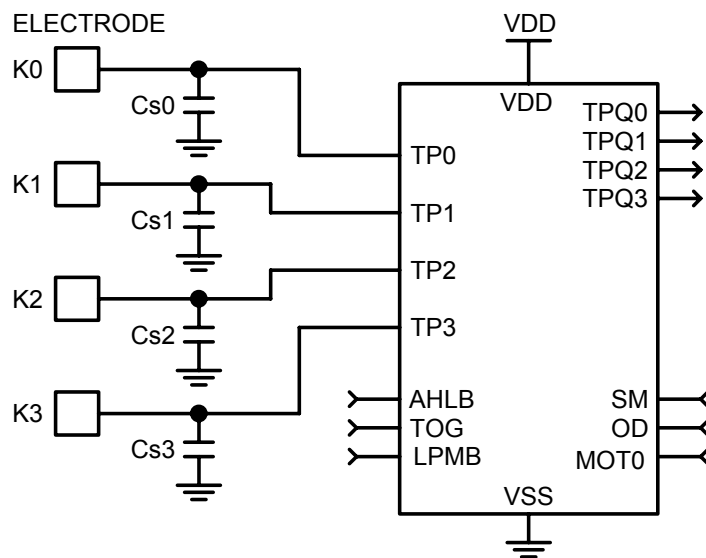
Under other conditions are fixed. Using a larger electrode size can increase sensitivity. Otherwise it can decrease sensitivity. But the electrode size must use in the effective scope

2. by the panel thickness

Under other conditions are fixed. Using a thinner panel can increase sensitivity. Otherwise it can decrease sensitivity. But the panel thickness must be below the maximum value

3. by the value of Cs0~Cs3 (please see the down figure)

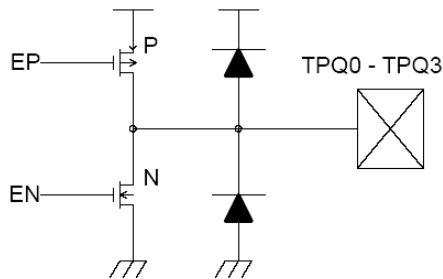
Under other conditions are fixed. Add the capacitors Cs0~Cs3 can fine tune the sensitivity for single key, that lets all key's sensitivity identical. When do not use any capacitor to VSS, the sensitivity is most sensitive. When adding the values of Cs0~Cs3 will reduce sensitivity in the useful range ($1 \leq Cs0 \sim Cs3 \leq 50pF$)



II. Output mode (By TOG 、 OD 、 AHLB pin option)

The TTP224B-COBN outputs (TPQ0~TPQ3) has direct mode active high or low by AHLB pin option, has toggle mode by TOG pin option and has open drain(have diode protective circuit) mode by OD pin option

| TOG | OD | AHLB | Pin TPQ0 ~ TPQ3 option features | Remark |
|-----|----|------|---|---------|
| 0 | 1 | 0 | Direct mode, CMOS output active high | Default |
| 0 | 1 | 1 | Direct mode, CMOS output active low | |
| 0 | 0 | 0 | Direct mode, Open drain output active high | |
| 0 | 0 | 1 | Direct mode, Open drain output active low | |
| 1 | 1 | 0 | Toggle mode, CMOS output, Power on state=0 | |
| 1 | 1 | 1 | Toggle mode, CMOS output, Power on state=1 | |
| 1 | 0 | 0 | Toggle mode, Power on state high-Z, Active high | |
| 1 | 0 | 1 | Toggle mode, Power on state high-Z, Active low | |



III. Key operating mode (By SM pin option)

The TTP224B-COBN has the Single-key and Multi-key functions by SM pin option

| SM | Option features | Remark |
|----|-----------------|---------|
| 1 | Multi-key mode | Default |
| 0 | Single key mode | |

Multi-key mode : The TP0-TP3 can be detected 2 keys or above 2 keys at the same time

Single-key mode : The TP0-TP3 can be detected 1 key only at the same time, when any key be detected, the other 3 keys can not be detected

IV. Maximum key on duration time (By MOT0 pin option)

If some objects cover in the sense pad, and causing the change quantity enough to be detected. To prevent this, the TTP224B-COBN sets a timer to monitor the detection. The timer is the maximum on duration time. When the detection is over the timer, the system will return to the power-on initial state, and the output becomes inactive until the next detection

| MOT0 | Option features | Remark |
|------|--------------------------------------|---------|
| 1 | Infinite (Disable maximum on time) | Default |
| 0 | Maximum on time about 16 sec | |

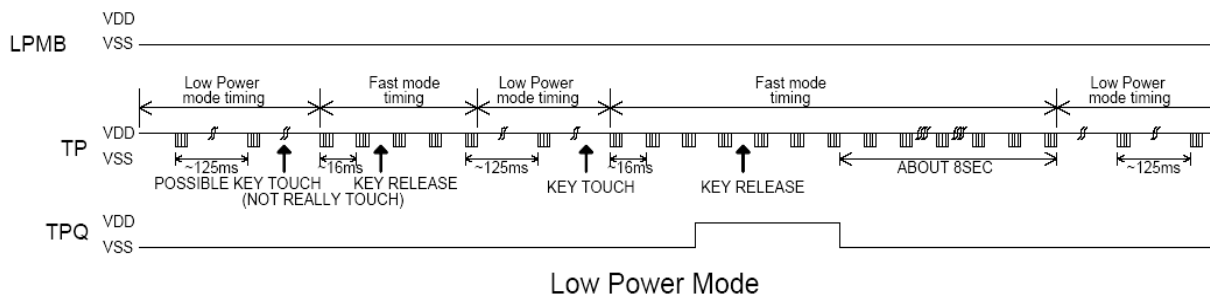
V. Fast and Low power mode select (By LPMB pin option)

The TTP224B-COBN has Fast mode and Low Power mode to be selected. It depends on the state of LPMB pin. When the LPMB pin is connected to VDD, the TTP224B-COBN runs in Fast mode. When the LPMB pin is opened or connected to VSS, the TTP224B-COBN runs in Low Power mode.

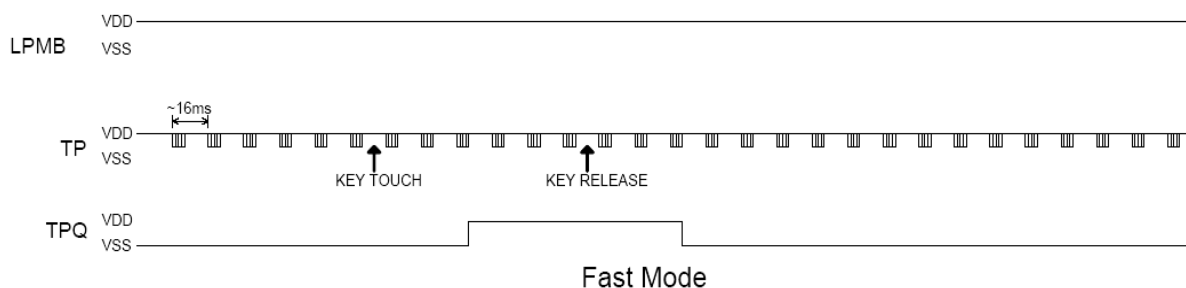
In the Fast mode response time is faster, but the current consumption will be increased. In the Low Power mode it will be saving power, but will be slowing response time for first touch. When it awaked in fast mode, the response time is the same the fast mode. In this mode when detecting key touch, it will switch to Fast mode. Until the key touch is released and will keep a time about 8sec. Then it returns to Low Power mode.

The states and timing of two modes please see below figure.

Low Power Mode timing diagram:

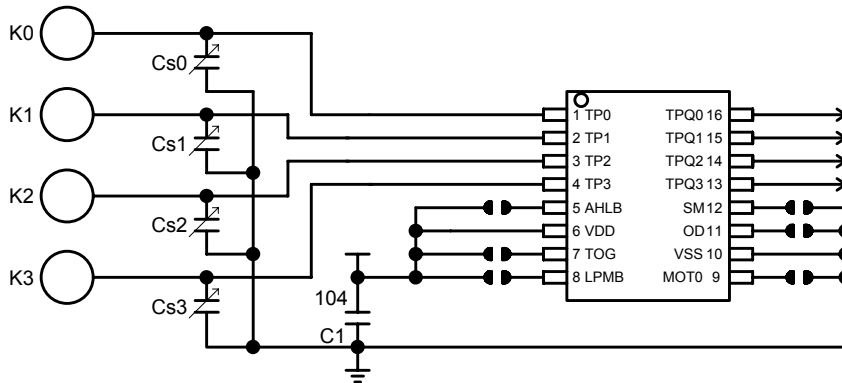


Fast Mode timing diagram:



| LPMB | Option features | Remark |
|------|-----------------|---------|
| 1 | Fast mode | |
| 0 | Low Power mode | Default |

Application circuit



Option table:

Output Mode:

| TOG | OD | AHLB | Pad TPQ0~TP3 option features |
|------|------|------|---|
| OPEN | OPEN | OPEN | Direct mode, CMOS active high output |
| OPEN | OPEN | VDD | Direct mode, CMOS active low output |
| OPEN | VSS | OPEN | Direct mode, Open drain active high output |
| OPEN | VSS | VDD | Direct mode, Open drain active low output |
| VDD | OPEN | OPEN | Toggle mode, CMOS output, Power on state =0 |
| VDD | OPEN | VDD | Toggle mode, CMOS output, Power on state =1 |
| VDD | VSS | OPEN | Toggle mode, Power on state high-Z, Active high |
| VDD | VSS | VDD | Toggle mode, Power on state high-Z, Active low |

Key operation mode:

| | |
|------|-----------------|
| SM | Option features |
| OPEN | Multi-key mode |
| VSS | Single key mode |

Maximum key on duration time:

| | |
|------|-----------------------------------|
| MOTO | Option features |
| VSS | Maximum on time 16sec |
| OPEN | Infinite(Disable maximum on time) |

Fast and Low power mode:

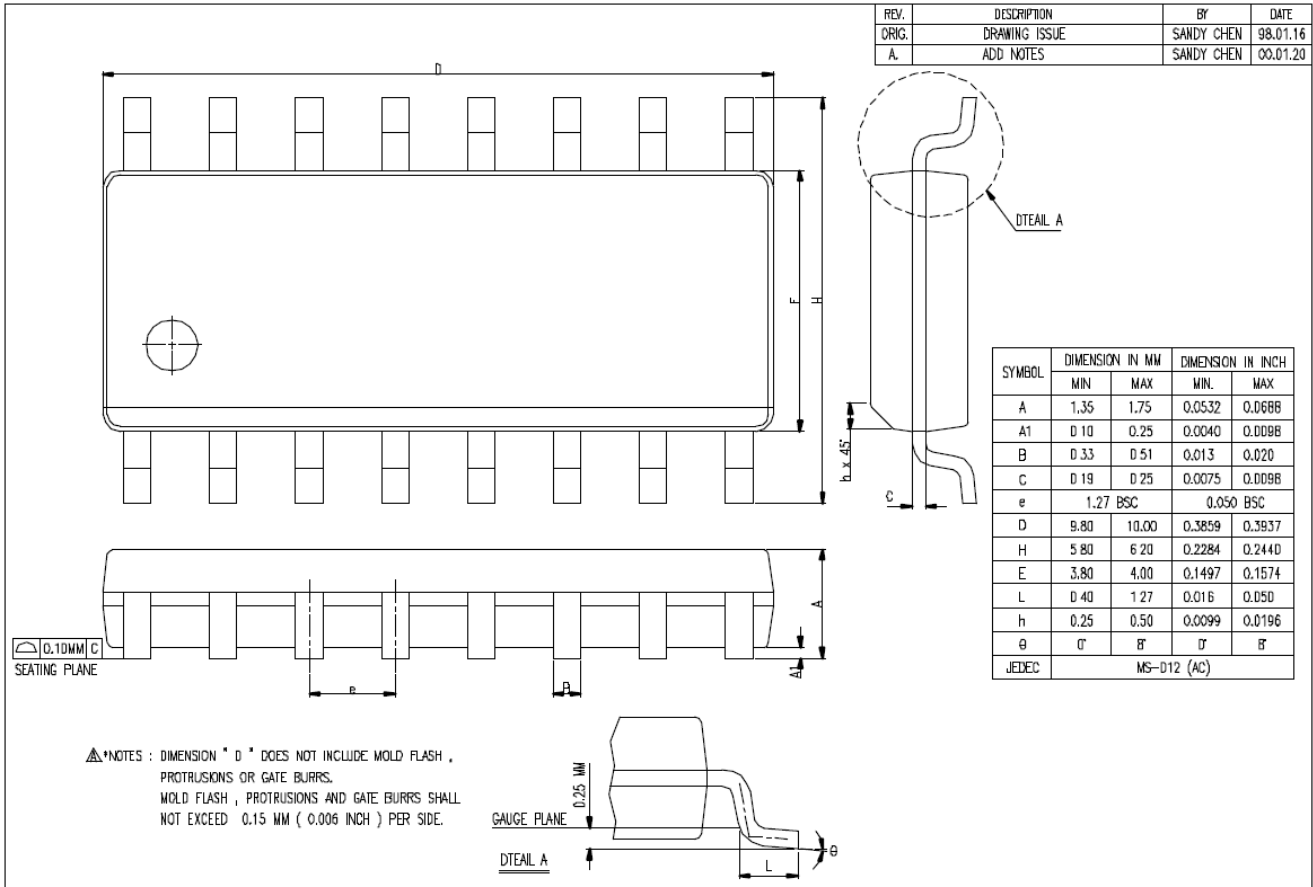
| | |
|------|-----------------|
| LPMB | Option features |
| VDD | Fast mode |
| OPEN | Low Power mode |

P.S. :

1. On PCB, the length of lines from touch pad to IC pin shorter is better. And the lines do not parallel and cross with other lines.
2. The power supply must be stable. If the supply voltage drift or shift quickly, maybe causing sensitivity anomalies or false detections.
3. The material of panel covering on the PCB can not include the metal or the electric element. The paints on the surfaces are the same.
4. The C1 capacitor must be used between VDD and VSS; and should be routed with very short tracks to the device's VDD and VSS pins (TTP224B-COBN).
5. The capacitance Cs0~Cs3 can be used to adjust the sensitivity. The value of Cs0~Cs3 use smaller, then the sensitivity will be better. The sensitivity adjustment must according to the practical application on PCB. The range of Cs0~Cs3 value are 1~50pF.
6. The sensitivity adjustment capacitors (Cs0~Cs3) must use smaller temperature coefficient and more stable capacitors. Such are X7R, NPO for example. So for touch application, recommend to use NPO capacitor, for reducing that the temperature varies to affect sensitivity.

Package outline

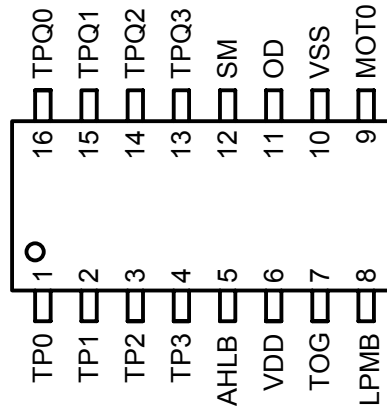
Package Type: SOP-16



Package configuration

TTP224B-COBN

Package Type SOP-16



Ordering Information

TTP224B-COBN

| Package Type | Chip Type | Wafer Type |
|--------------|------------|------------|
| TTP224B-COBN | No support | No support |